



CABLE GLAND

TYPE 453 FLAMEPROOF



SPECIFICATION

Application	Outdoor and indoor . For use with single wire armour tape and braid armor , elastomer or plastic insulated cables.
Specification	In accordance with the relevant requirements of BS 6121 type E1WF and BS 5501 parts 1,5, EN 50014, EN 50018, IEC 60079-0, IEC 60079-1
Approval	Suitable for use in Group IIA, IIB, and IIC Suitable for use in Zone 1, and Zone 2.
Function	I) provides for armour clamp. II) provides seal on outer sheath of cable III) provides seal on inner sheath of cable
Seals	The inner seal complies with the pressure test of 30 BAR (450 psi) for two minutes.
Marking/certificate No.	Exd IIC IP66/BAS Ex98D 1229U
Ingress protection	IP 66 to IEC 60529
Material	Brass/ Stainless steel
Finish	This gland can be coated or plated to suit the application.
Accessories (Optional)	Shroud for additional protection against onerous weather conditions. (Sealing Washer for IP66 rating between gland and the equipment.) Earth Tag to ensure earth continuity between the gland and the equipment. Locknut to secure the gland body to the equipment where entry hole is not tapped.

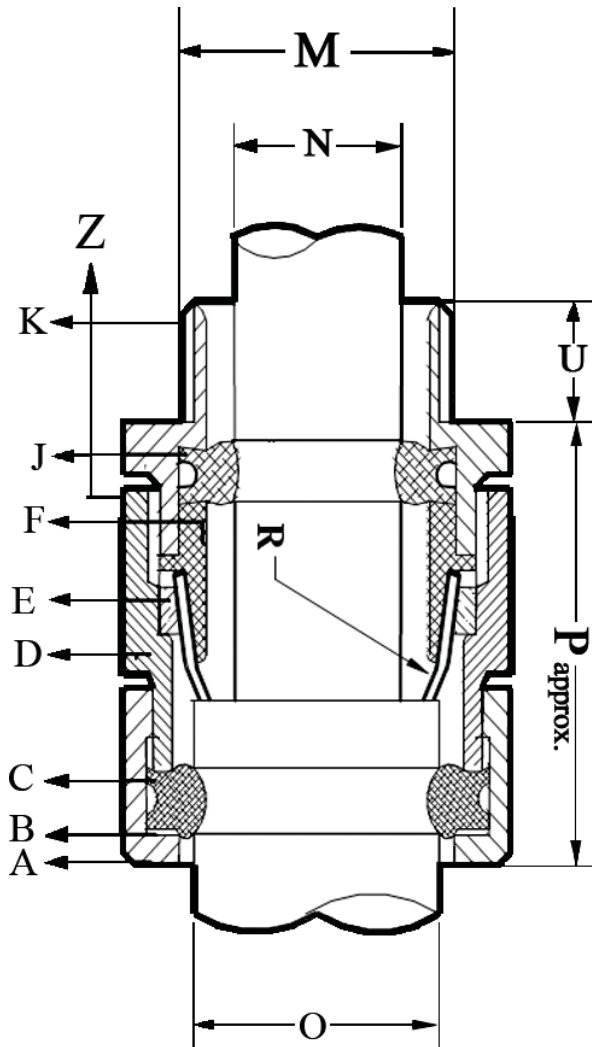
Gland Size ref.	'M' Entry thread sizes				'U' Thread Length				P	** Across flats	** Across corners	Cable acceptance details						
	Metric	Imp* (in)	PG	BSPP* BSPT* NPT* (in)	Metric Imp PG	BSPP	BSPT	NPT				Diameter of Inner sheath		Diameter of outer sheath		Standard Steel wire armour R		
												N Min.	N Max.	O Min.	O Max.	SWA	Tape Armor	
Os	16/20	3/4	13.5	1/2	15	15	18.6	19.9	58.7	25	27.7	3.0	7.6	10.5	16.0	0.9 to 1.25	0 to 1	
O	16/20	3/4	11/13.5	1/2	15	15	18.6	19.9	58.7	25	27.7	7.5	11.5	10.5	16.0	0.9 to 1.25	0 to 1	
A	20	3/4	11/16	1/2	15	15	18.6 20	19.9 20.2	57.8	30	34.6	11.3	13.5	12.9	20.5	0.9 to 1.25	0 to 1	
B	25	1	21	3/4	15	15	20 23.7	20.2 25	62.5	36	41.6	13.3	19.2	17.0	26.5	1.25 to 1.6	0 to 1	
C	32	1 1/4	29	1 1 1/4	15	15	20 26	23.7 25.6	65.9	46	53.1	19.3	26.2	25.0	33.3	1.6 to 2	0 to 1	
C2	40	1 1/2	36	1 1/4 1 1/2	15	15	20 26	25.6 26	73.8	55	63.5	25.5	31.5	33.0	42.0	1.6 to 2	0 to 1	
D	50	2	42/48	2	15	15	20	30.3	26.9	82.3	65	75.1	32.0	43.5	39.5	52.0	2 to 2.5	0 to 1
E	63	2 1/2	-	2 1/2	15	15	20	33.6	39.9	83.1	80	92.4	43.0	54.5	52.0	64.8	2.5	0 to 1

Notes:

- * The dimension of cable may vary with manufacturing tolerances. We do advise the actual cable diameter is measured where possible before purchasing Cable Glands.
The recommendations here are given in good faith but SHOMAL can not be held liable for mistakes in selection however caused.
- **This dimension is the minimum acceptable.

All information may be revised or changed by SHOMAL at anytime without prior notice or explanation.

CABLE GLAND TYPE 453 FLAMEPROOF



- A : TAIL NUT
- B : SKID WASHER
- C : OUTER SEAL
- D : COMPRESSION NUT
- E : ARMOUR CLAMP RING
- F : ARMOUR CLAMP

Note : Alternative clamping device (EOF) is available for tape Armor and braided cables

- J : INNER SEAL
- K : ENTRY ADAPTOR

All information may be revised or changed by SHOMAL at anytime without prior notice or explanation.